

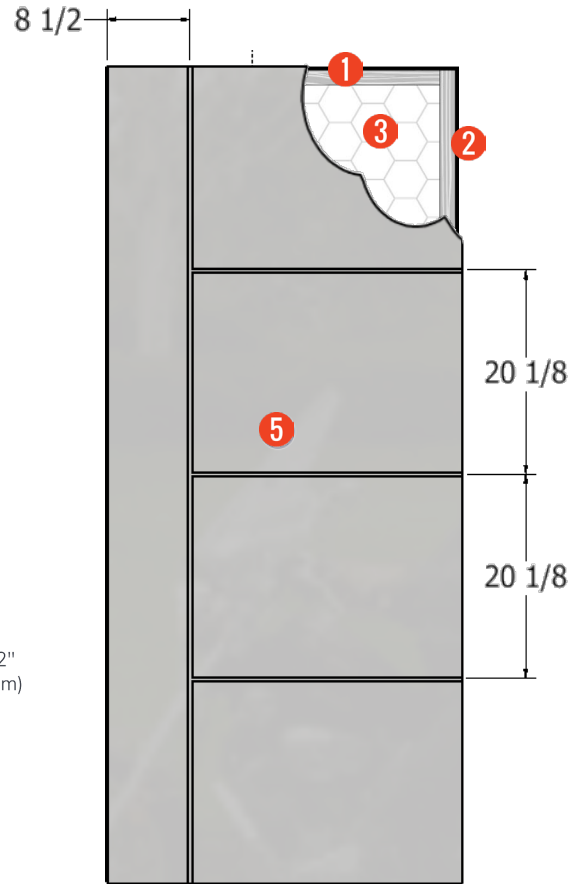
# INNOVIA 4 - 1 3/8" HOLLOW CORE



#90-26

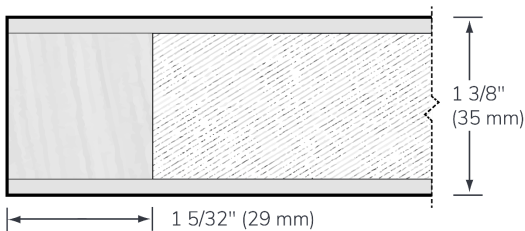
Door width : Maximum 36"  
 Door height : Maximum 80"

- 1 Door cross 1 5/32" (29 mm)  
Jointed pine or equivalent
- 2 Door stiles and rail 1 5/32" (29 mm)  
Jointed pine or equivalent
- 3 Embossed cell core (recycled)
- 4 Lock reinforcement on both sides  
3 1/2" X 18" (89 mm X 457 mm)
- 5 Face : INNOVIA 4



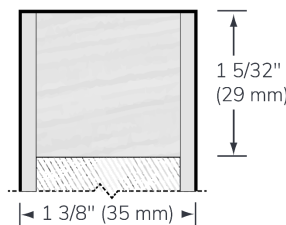
2

CUTTING OF THE STILES



1

CUTTING CROSSWAYS



Note that all dimensions are raw.

Type 1 adhésif , Waterproof

No urea formaldéhyde

Fire resistance

Not offered

Guarantee 3 years

NOTE :

When using double doors or a 4-door bi-fold door.

Please note that design misalignment may occur. Horizontal alignment has a tolerance of 3/16".

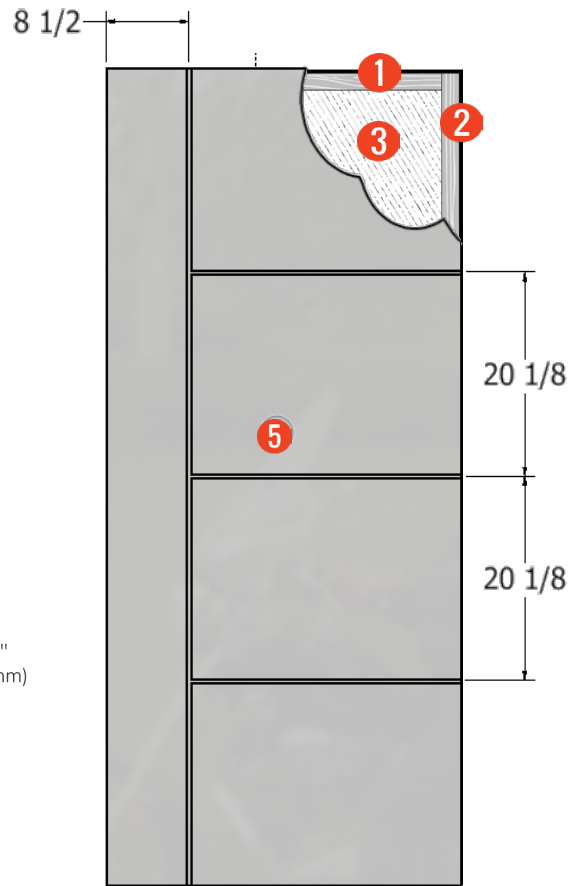
# INNOVIA 4 - 1 3/4" SOLID CORE



Door width : Maximum 36"  
Door height : Maximum 80"

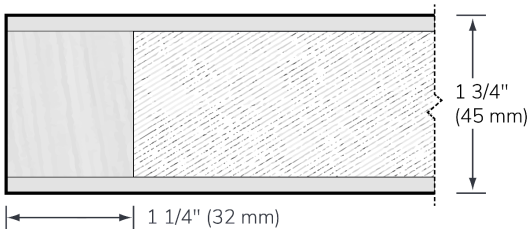
- 1 Door cross 1 1/4" (32 mm)**  
Jointed pine or equivalent
- 2 Dorr stiles and rails 1 1/4" (32 mm)**  
Jointed pine or equivalent
- 3 Solid agglomerate core**  
density of 28 pounds per cubic foot  
449 kg per cubic meter
- 4 Integrated reinforcement**
- 5 Face : INNOVIA 4**

**3200-26**



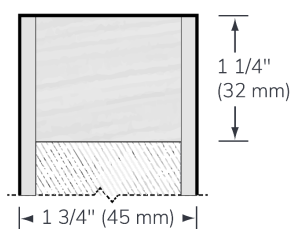
**2**

CUTTING OF THE STILES



**1**

CUTTING CROSSWAYS



Note that all dimensions are raw.

**Type 1 adhésif , Waterproof**

No urea formaldéhyde

**Fire resistance**

Offered in option 20 UL

**Guarantee 3 years**

