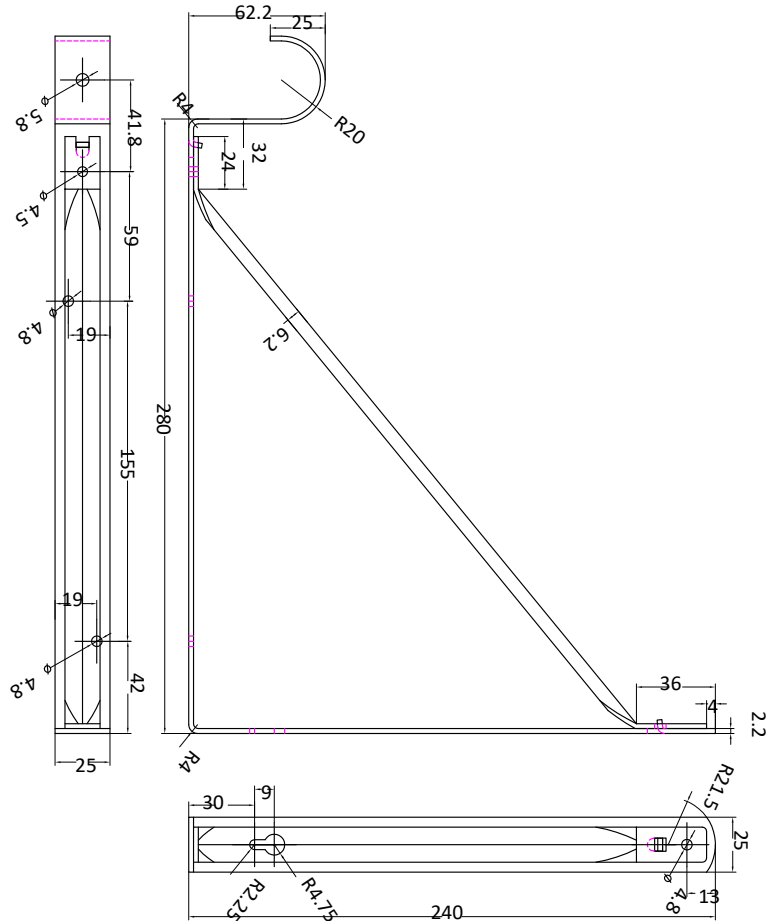
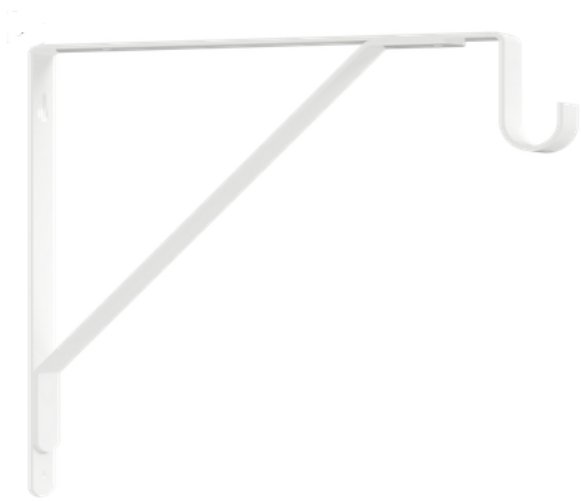


POLE BRACKET 1195



Descriptif

Standard

Matériau: Steel

Available finish : white

Dimension: 0.98" L x 9.44" h x 11", w

Screws included ; 2x M4-16MM, 2x M4-38MM

Tolerance of +/- 0.4 degrees (1-2 mm)